

PRODUCT SPECIFICATION

PRODUCT DATA

Product code	SL/11014
Collection	Architectural
Product category	Spot Light
Product Name	Skylite D-II
Mounting Type/Location	Recessed, Indoor

DIMENSION & WEIGHT

LxWxH (mm)	Ø196 x 104mm
Cut out (mm)	176mm

MATERIAL & COLOR

Finish/Color	Black/White/Silver
Body Material	Aluminum Die-cast

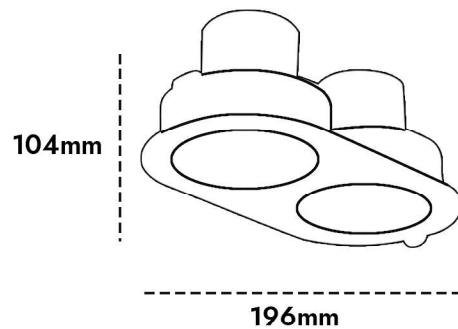
ELECTRICAL DATA

Power (Nominal)	Max. 2x11W
Input voltage (Nominal)	220-240V
Colour rendition index	>90
Luminus Flux	95-105W/m
Color Temperature	3000°K-6000°K
Warranty	3 Years

IMAGE



TECHNICAL DRAWING



LIGHT DISTRIBUTION



36°