

## PRODUCT SPECIFICATION

### PRODUCT DATA

Product code	<b>SL/11017</b>
Collection	<b>Architectural</b>
Product category	<b>Spot Light</b>
Product Name	<b>Dane</b>
Mounting Type/Location	<b>Recessed, Indoor</b>

### DIMENSION & WEIGHT

LxWxH (mm)	<b>Ø60 x 83mm</b>
Cut out (mm)	<b>Ø50mm</b>

### MATERIAL & COLOR

Finish/Color	<b>Black/White/Silver</b>
Body Material	<b>Aluminum Die-cast</b>

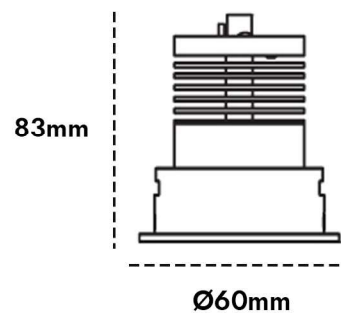
### ELECTRICAL DATA

Power (Nominal)	<b>Max. 8W</b>
Input voltage (Nominal)	<b>220-240V</b>
Colour rendition index	<b>&gt;90</b>
Luminus Flux	<b>90-100W/m</b>
Color Temperature	<b>3000°K-6000°K</b>
Warranty	<b>3 Years</b>

### IMAGE



### TECHNICAL DRAWING



### LIGHT DISTRIBUTION



36°