

PRODUCT SPECIFICATION

PRODUCT DATA

Product code	DL/21002
Collection	Architectural
Product category	Down Light
Product Name	Chris XL
Mounting Type/Location	Recessed, Indoor

DIMENSION & WEIGHT

LxWxH (mm)	Ø130x138mm
Cut out (mm)	Ø115-120mm

MATERIAL & COLOR

Finish/Color	White
Body Material	Aluminum+PC

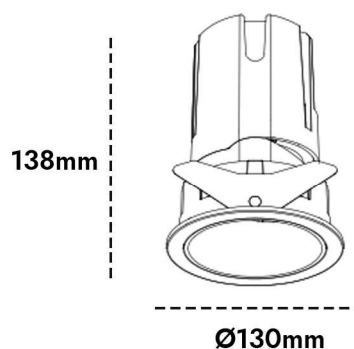
ELECTRICAL DATA

Power (Nominal)	Max. 40W
Input voltage (Nominal)	220-240V
Colour rendition index	>90
Luminus Flux	100-110W/m
Color Temperature	3000°K-6000°K
Warranty	3 Years

IMAGE



TECHNICAL DRAWING



REFLECTOR

